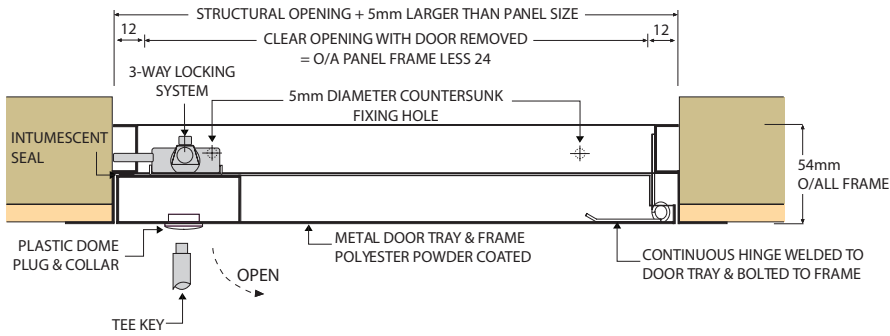


CAD/WAP.C/FR60/120

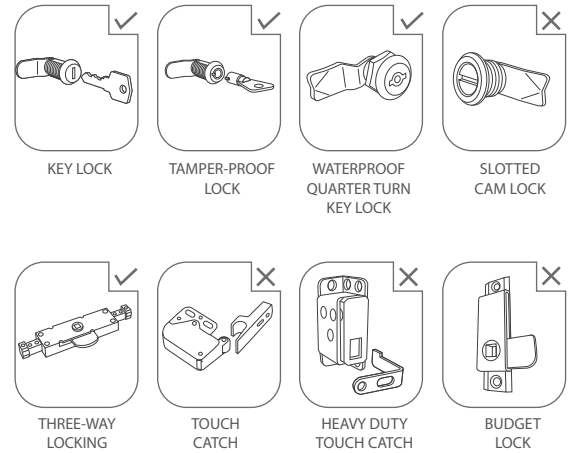
CEILING/WALL ACCESS PANEL 1 or 2 HOUR FIRE RATED - METAL DOOR WITH PICTURE FRAME



SPECIFICATION

DESCRIPTION	Metal Door - Picture Frame.
FIRE RATING	1 or 2 hour fire resistance for integrity to BS476: parts 21 and 22: 1987
HINGE TYPE	Continuous Hinge.
COMPOSITION	Removable Flush Metal Faced Door. 1.2mm Thick Zintec Steel Frame. 1.0mm Thick Zintec Steel Door Tray. Polyester Powder Coated in matt white RAL 9010 20% gloss.
LOCKING	3-Way Locking System.
FITTING	Screw fix through the frame into a suitable trimming.
FRAME TYPE	25mm Picture frame for retrofit.

LOCKING OPTIONS



DIMENSIONS

Please ensure that on installation of the access panel, the actual size of structural opening in the wall/ceiling needs to be 5mm larger than the overall panel size e.g. structural opening for 600 x 600 will be 605 x 605 (See sizes below).

Sizes		Structural Opening		Clear Opening with Door Removed		
(x)	(y)	(x)	(y)	(x)	(y)	
300	300	305	305	276	276	
450	450	455	455	426	426	
550	550	555	555	526	526	
600	600	605	605	576	576	
600	900	605	905	576	876	(Hinged long side)
600	1200	605	1205	576	1176	(Hinged long side)

Bespoke sizes are also available

FITTING INSTRUCTIONS

Note: the access panel may require extra support and bracing to allow safe operation.

- Insert frame into structural opening which needs to be 5mm larger than panel size, ensuring frame is flush with surface. Then screw fix through fixing points. Additional packers may be needed to prevent distortion of the frame. DO NOT fix through the face of frame.

- Continuous hinge doors can be removed from the frame by the bolts securing the hinge.

- Simple to operate: remove the plastic plug, insert the Key into the budget lock and rotate 90 degrees. Ensure there is sufficient clearance for the lock to operate correctly.

Refit the door and check operation. Ensure there is sufficient clearance behind the frame for the budget lock to operate correctly.