

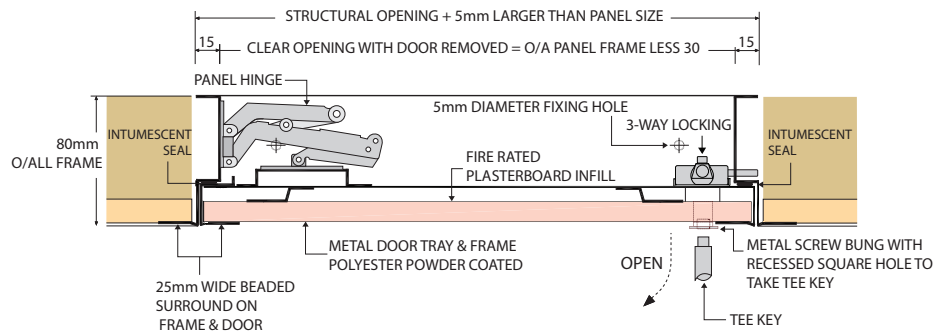
# JAK.PB.BF.FR

PLASTERBOARD DOOR BEADED FRAME  
FIRE RATED

# SIZES

JAK.PB.BF access panel is designed to fit into any type of plasterboard ceiling/wall system allowing easy access into the cavity/void. A concealed beaded frame surround is provided on the door and the panel frame which allows the panel to be taped and skimmed on site.

- ✓ Plasterboard Door and concealed beaded frame
- ✓ Designed to be taped and skimmed on site
- ✓ Manufactured from 1.2mm and 1mm Zintec Steel
- ✓ Tee Key Operated Budget Lock



## DIMENSIONS

Please note that on installation of the access panel, the actual size of the structural opening in the ceiling/wall needs to be 5mm larger than the overall panel size eg The structural opening for 600 x 600 would need to be 605 x 605. Non standard sizes available upon request.

SIZE*	STRUCTURAL OPENING	CLEAR OPENING (With door removed)	WEIGHT (Kg)
300 x 300	305 x 305	276 x 276	4
450 x 450	455 x 455	426 x 426	7
550 x 550	555 x 555	526 x 526	9
600 x 600	605 x 605	576 x 576	11
600 x 900	605 x 905	576 x 876	17
600 x 1200	605 x 1205	576 x 1176	24

\*Bespoke sizes available on request

## FIRE

The JAK.PB.BF/FR60/120 has been successfully tested to give up to 1 hour integrity in a ceiling system and 2 hours for a wall system. All in accordance with EN 1634, part 1:2000. Fire doors have intumescent strips fitted on the frames. DO NOT interfere with these strips.

## LOCKING OPTIONS



Three Way Lock  
(Standard)